



## ENGRANAJES MIRALLES

C/ Mare de Deu de Bellvitge 309  
08907-HOSPITALET DE LLOBREGAT  
Tel. 93.226.84.04 Fax. 93.226.93-64  
www.engranajesmiralles.com

### **HUSILLO ROSCADO MECANIZADO** **MATERIAL F-114**

REFERENCIA	PASO	DIAM. EXT.
TR-12/3	3	12
<b>*TR-15/3*</b>	<b>3</b>	<b>15</b>
TR-16/4	4	16
TR-18/4	4	18
<b>*TR-20/4*</b>	<b>4</b>	<b>20</b>
TR-22/5	5	22
TR-24/5	5	24
<b>*TR-25/5*</b>	<b>5</b>	<b>25</b>
TR-26/5	5	26
TR-28/5	5	28
<b>*TR-30/6*</b>	<b>6</b>	<b>30</b>
TR-32/6	6	32
TR-35/6	6	35
TR-36/6	6	36
<b>*TR-40/7</b>	<b>7</b>	<b>40</b>
TR-45/7	7	45
<b>*TR-50/8*</b>	<b>8</b>	<b>50</b>
<b>*TR-60/9*</b>	<b>9</b>	<b>60</b>

### **HUSILLO ROSCADO MECANIZADO** **MATERIAL INOXIDABLE AISI-303 MECANIZADO**

REFERENCIA	PASO	DIAM. EXT.
TR-15/3	3	15
TR-20/4	4	20
TR-25/5	5	25
TR-30/6	6	30
TR-40/7	7	40
TR-50/8	8	50



## ENGRANAJES MIRALLES

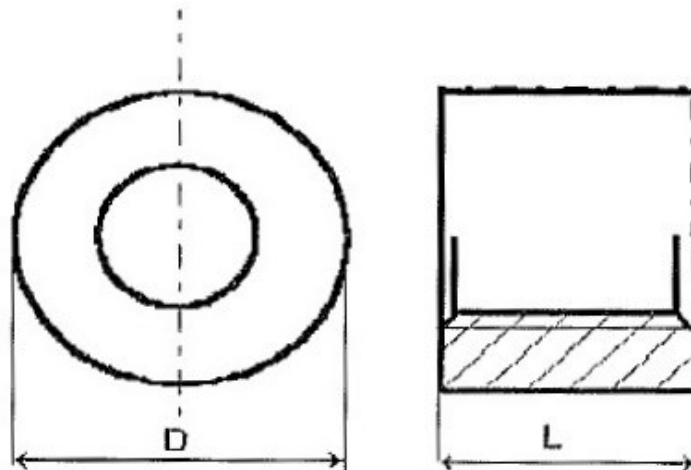
C/ Mare de Deu de Bellvitge 309  
08907-HOSPITALET DE LLOBREGAT  
Tel. 93.226.84.04 Fax. 93.226.93-64  
www.engranajesmiralles.com

---

### **HUSILLO ROSCADO LAMINADO** **MATERIAL F-1110 LAMINADO**

REFERENCIA	PASO	DIAM. EXT.
TRL-12/3	3	12
TRL-15/3	3	15
TR-16/4	4	16
TRL-18/4	4	18
TRL-20/4	4	20
TRL-22/5	5	22
TRL-24/5	5	24
TRL-28/5	5	28
TRL-30/6	6	30
TRL-32/6	6	32
TRL-36/6	6	36
TRL-40/7	7	40
TRL-50/8	8	50
TRL-60/9	9	60
TRL-70/10	10	70
TRL-80/10	10	80

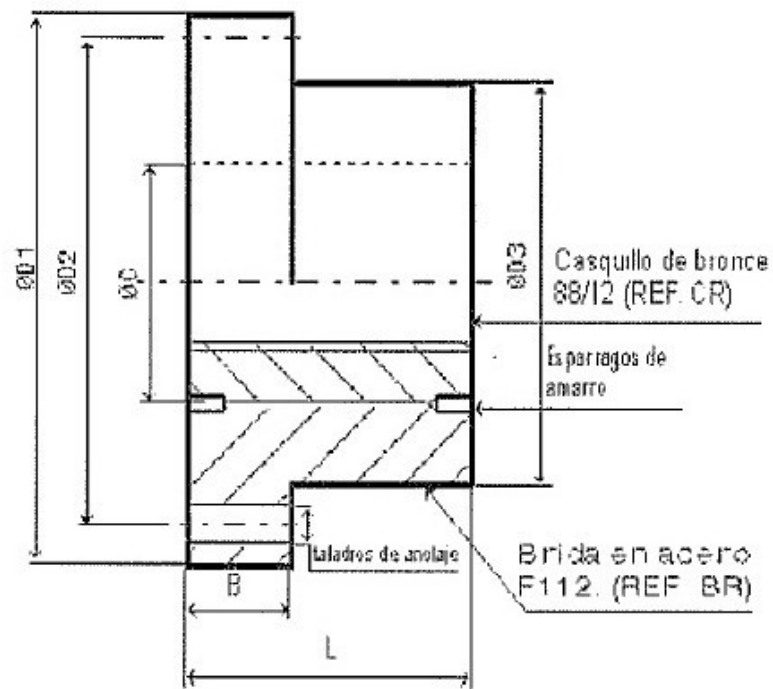
## CASQUILLOS PARA HUSILLO BRONCE



REFERENCIA	PASO	D	L
CASQ-15/3	3	25	25
CASQ-20/4	4	30	30
CASQ-25/5	5	35	37
CASQ-30/6	6	45	45
CASQ-40/7	7	55	60
CASQ-50/8	8	65	75
CASQ-60/9	9	75	90

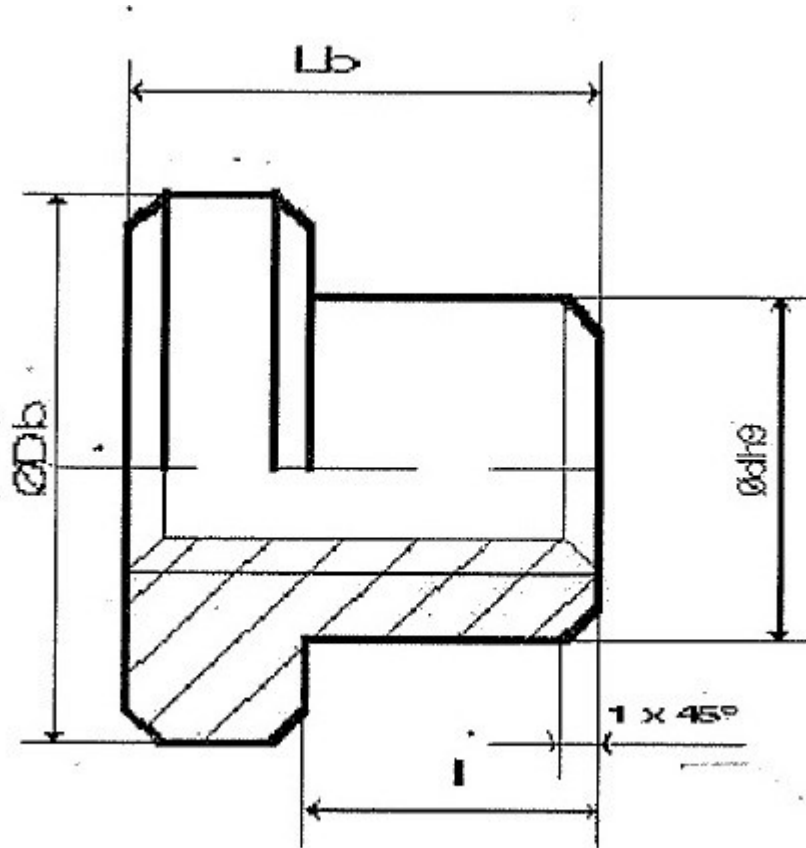
REFERENCIA	PASO	D	L
LRM-15/3	3	40	24
LRM-16/4	4	40	30
LRM-18/4	4	40	30
LRM-20/4	4	40	30
LRM-24/5	5	40	30
LRM-28/5	5	50	40
LRM-30/6	6	60	45
LRM-32/6	6	60	45
LRM-35/6	6	70	54
LRM-36/6	6	70	54
LRM-40/7	7	80	60
LRM-50/8	8	80	70
LRM-60/9	9	90	90

## TUERCAS CON BRIDA PARA HUSILLO ACERO + BRONCE



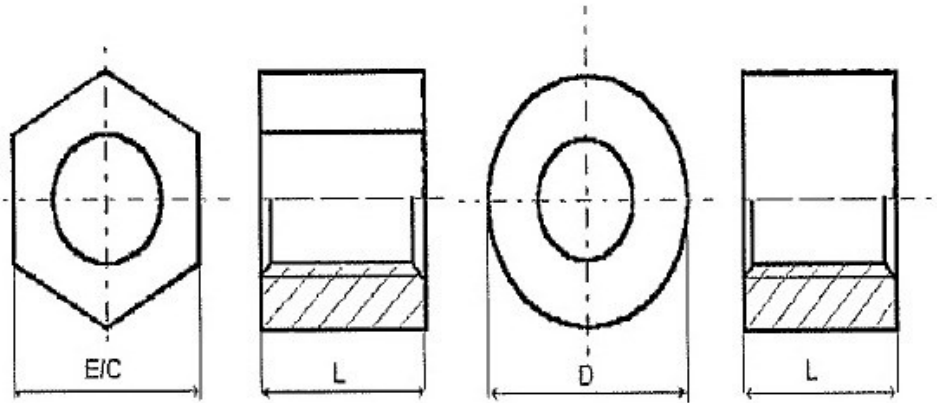
REF	PASO	D1	D2	D3	L	B	C	TALADROS
TUER-3	3	60	50	38	25	10	25	3 x M-6
TUER-4	4	70	55	42	30	12	30	4 x M-6
TUER-5	5	80	65	52	37	12	35	4 x M-6
TUER-6	6	100	82	65	45	16	45	4 x M-8
TUER-7	7	110	93	75	60	16	55	6 x M-8
TUER-8	8	135	113	90	75	18	65	6 x M-10
TUER-9	9	155	129	105	90	22	75	6 x M-12

## TUERCAS CON BRIDA PARA HUSILLO BRONCE



REF	PASO	D	I	L
BFM-15/3	3	49	22	32
BFM-16/4	4	49	22	32
BFM-18/4	4	49	22	32
BFM-20/4	4	49	22	32
BFM-24/5	5	49	22	32
BFM-28/5	5	64	20	40
BFM-30/6	6	64	20	40
BFM-32/6	6	64	20	60
BFM-36/6	6	84	40	60
BFM-40/7	7	84	40	60
BFM-50/8	8	109	50	75
BFM-60/9	9	109	50	75

## TUERCAS REDONDAS Y HEXAGONALES ACERO



REF	PASO	FORMA	D	L
KSM-15/3	3	REDONDA	30	21
KSM-16/4	4	REDONDA	36	24
KSM-20/4	4	REDONDA	45	30
KSM-24/5	5	REDONDA	50	36
KSM-30/6	6	REDONDA	60	45
KSM-40/7	7	REDONDA	80	60
KSM-50/8	8	REDONDA	90	75
KSM-60/9	9	REDONDA	100	90

REF	PASO	FORMA	D	L
SKM-12/3	3	HEXAGONAL	19	18
SKM-15/3	3	HEXAGONAL	24	22
SKM-16/4	4	HEXAGONAL	27	24
SKM-18/4	4	HEXAGONAL	27	25
SKM-20/4	4	HEXAGONAL	30	30
SKM-22/5	5	HEXAGONAL	30	33
SKM-24/5	5	HEXAGONAL	36	36
SKM-28/5	5	HEXAGONAL	46	42
SKM-30/6	6	HEXAGONAL	46	45
SKM-32/6	6	HEXAGONAL	48	46
SKM-36/6	6	HEXAGONAL	55	54
SKM-40/7	7	HEXAGONAL	65	60